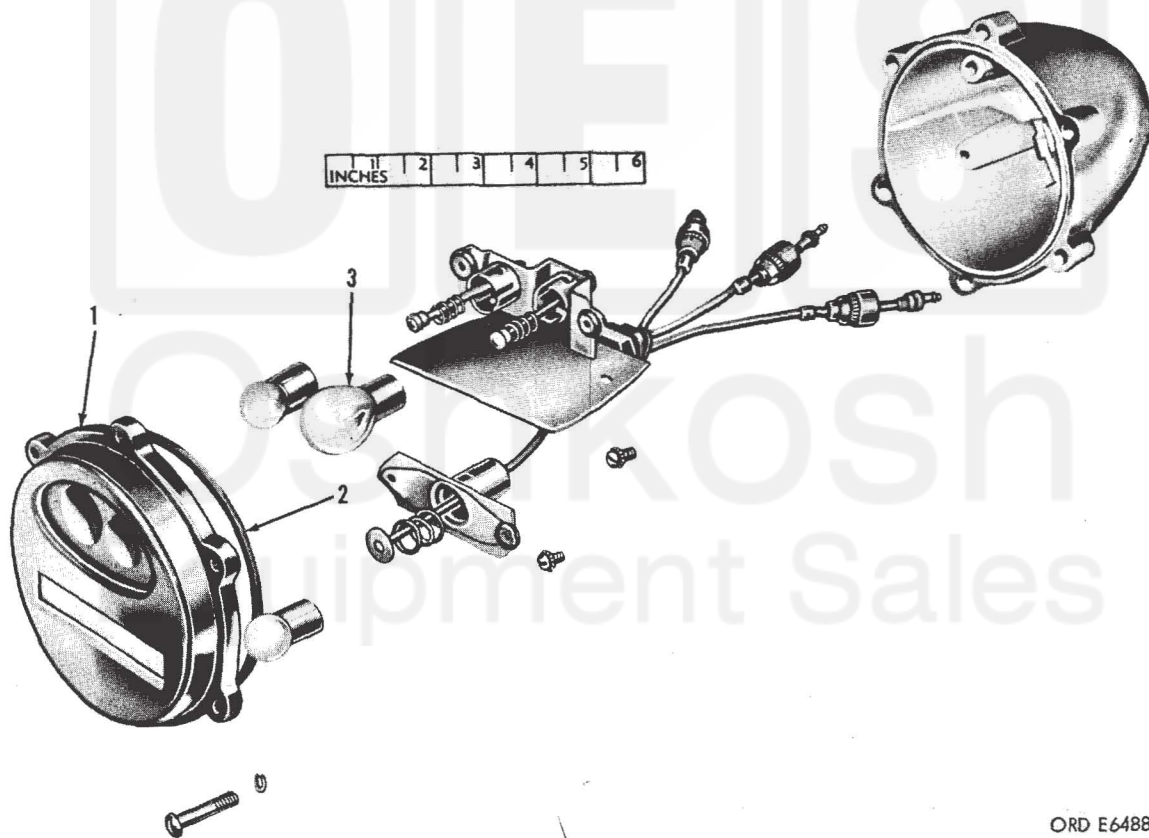


(1) ILLUST		(2) SOURCE, MAINT AND RECOVERABILITY CODE				(3) FEDERAL STOCK NO	(4) DESCRIPTION	(5) UNIT OF ISSUE	(6) QTY INC IN UNIT	(7) 15-DAY MAINT ALW PER 100 EQUIP	
(a) FIG NO	(b) ITEM NO	(a) MATERIAL CODE	(b) SOURCE	(c) MAINTENANCE LEVEL	(d) RECOVERABILITY					(a) CO OR BTRY	(b) CO BN OR RECT
							06 - ELECTRICAL SYSTEM - Continued				
							<u>0609 - LEFT SERVICE, BLACKOUT TAIL, AND STOP-LIGHT ASSEMBLY (Fig. 37)</u>				
37	1	P	O			6220-752-6020	DOOR, ASSEMBLY TAILLIGHT: flange mtg, w/screws, assy (left stop and taillight) (7526020)	ea	1		
37	2	P	O			5330-297-7106	PACKING, PREFORMED: 2 ring, ru, 4.093 in. id, 4-5/16 in. od, 0.135 in. thk (taillight door) (7320658)	ea	1		
37	3	P	O			6240-044-6914	LAMP, INCANDESCENT: min, 24 - 28 v, sgle-tun-fil, no. 1683, 32 cp sgle contact cand-bay-base, S-8 bulb (left taillight) (446914)	ea	1		



ORD E64881

Figure 37. Left service, blackout tail, and stoplight assembly - exploded view